

PRODUCT TECHNICAL SHEET

Collection :

CLIFF

Ref. :

4091.--.28

Batterie de cuisine 4 trous, douchette poussoir à inverseur automatique et grand bec mobile 235mm

4-gats keukenmengkraan, handdouche met drukknop, automatische omschakelaar en grote draaibare uitloop 235mm

4-hole kitchen mixer, handshower with pusher, automatic diverter and great swivel spout 235mm

Picture



Product details

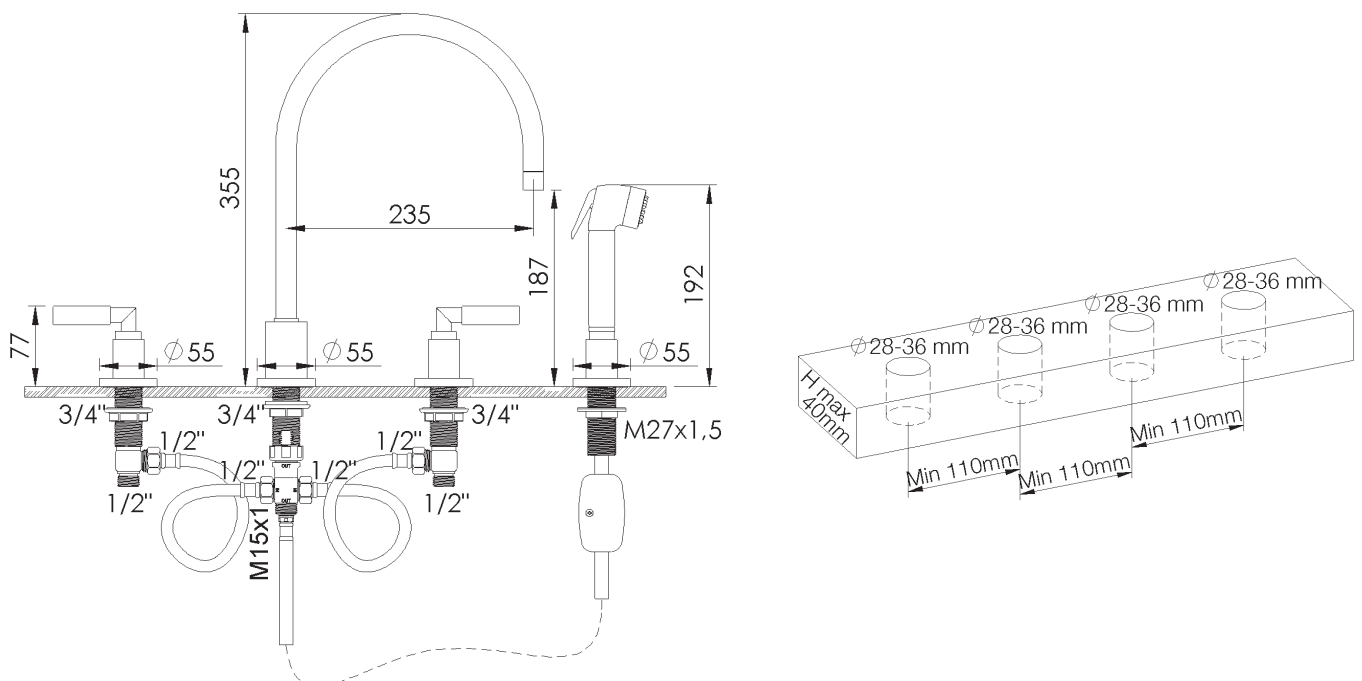
Weight : 4,5 kg

Flow at 3 bar : Restricted 9 l/min

Internal mechanism : Ceramic valve 1/4 turn

Diverter : Automatic pressure diverter

Technical drawing



RB2.V01